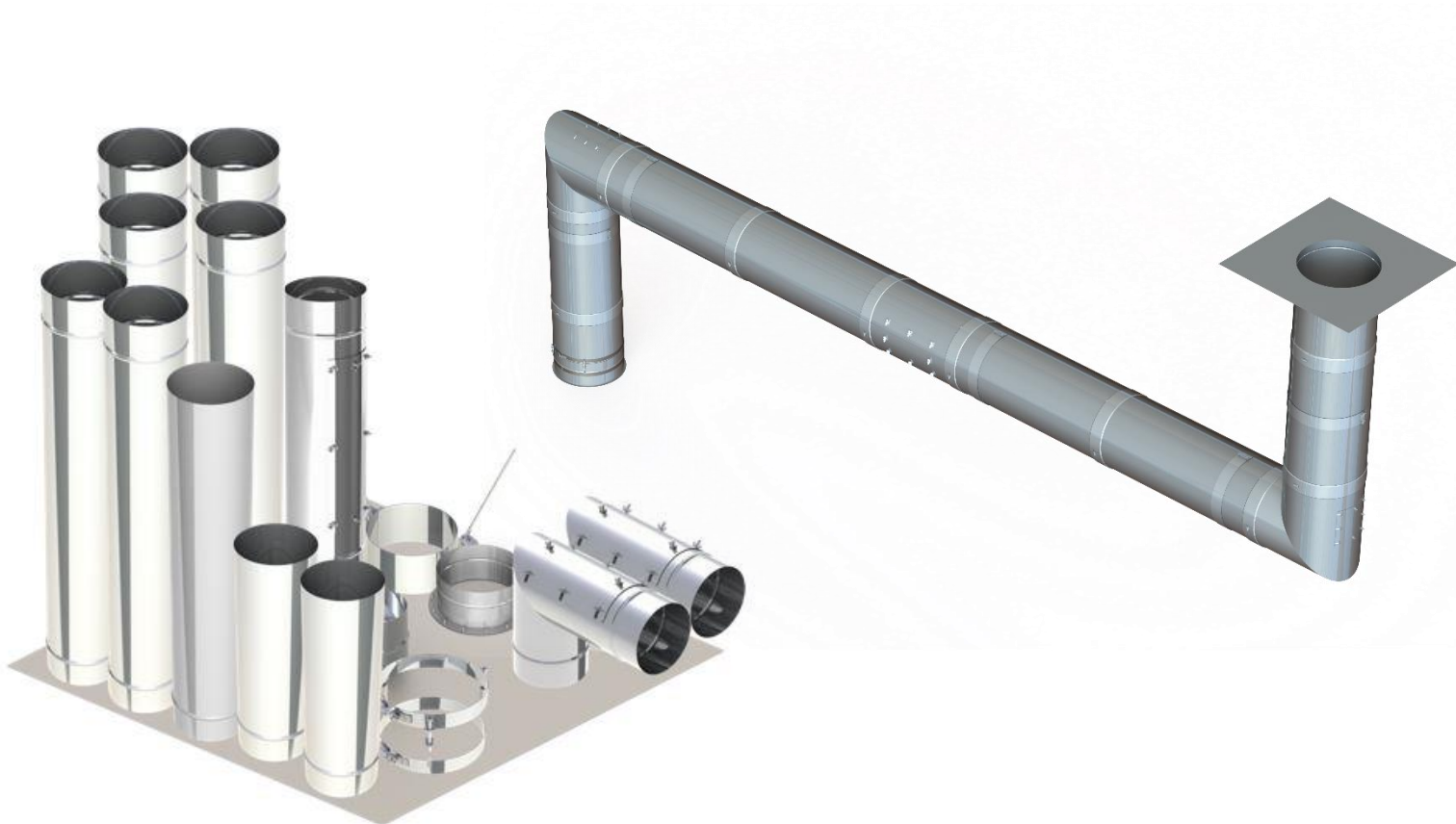


Grease Duct Spec

Model:

SW-NAKS-KIT002

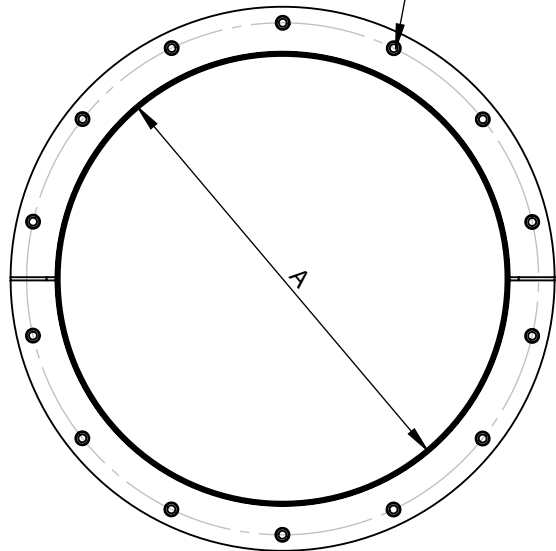
Single Wall Conical 10"
with Two Elbows



1 2 3 4

1/4" X 1" BOLTS

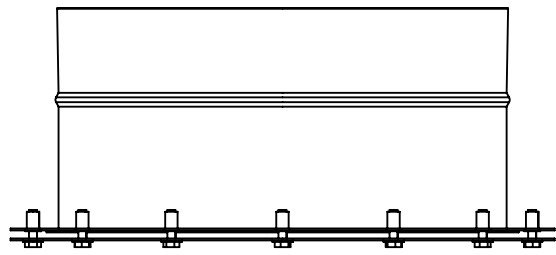
A



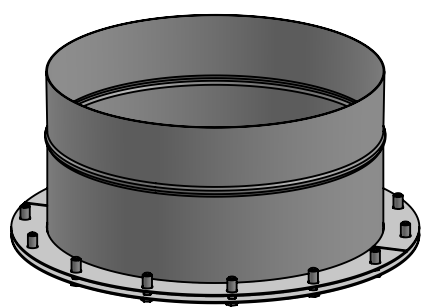
B

C



D



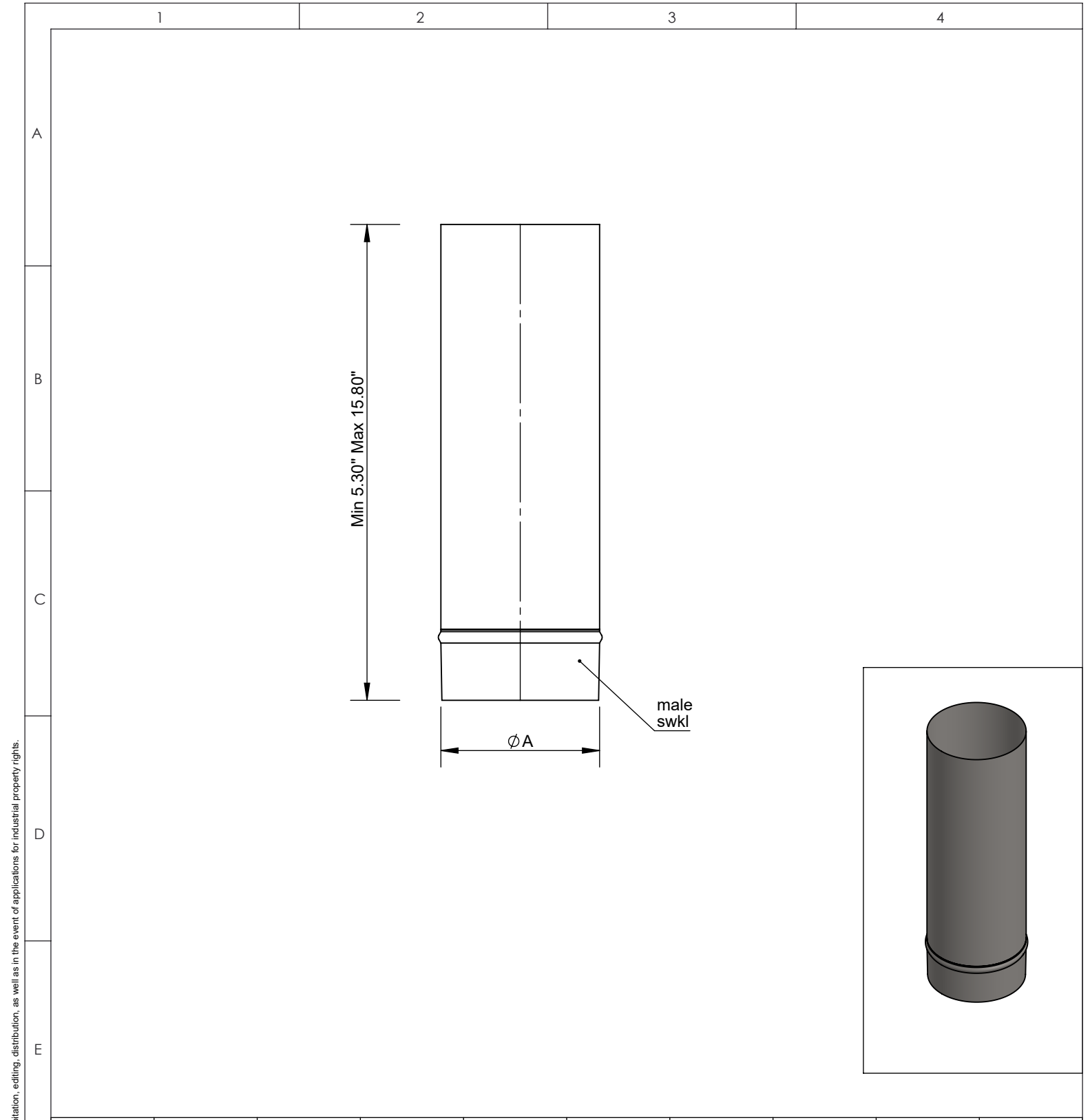
E



Ø	10	11	12	13	14	16	18	20	22
A	10	11	12	13	14	16	18	20	22

F	material: inside/outside	304	surface: inside/outside	BA	inch / lb					 NORTH AMERICAN KITCHEN SOLUTIONS INCORPORATED	scale
	revisions-no.				description						format
	drawn by				date	name					US LETTER
	checked by				code						sheet
	approved by				drawing no.						
modified by				SWNAKSØ-NWHA							

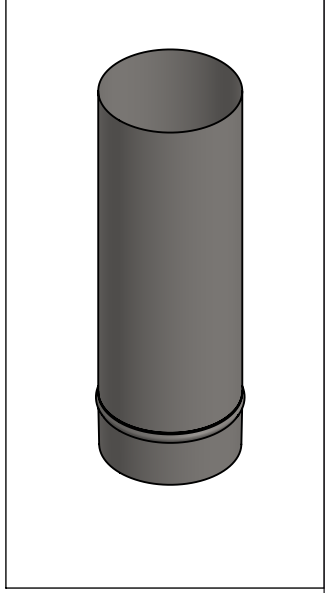
© NAKS Inc. All rights reserved, also regarding any disposal, exploitation, editing, distribution, as well as in the event of applications for industrial property rights.




male swkl

ϕA

Min 5.30" Max 15.80"

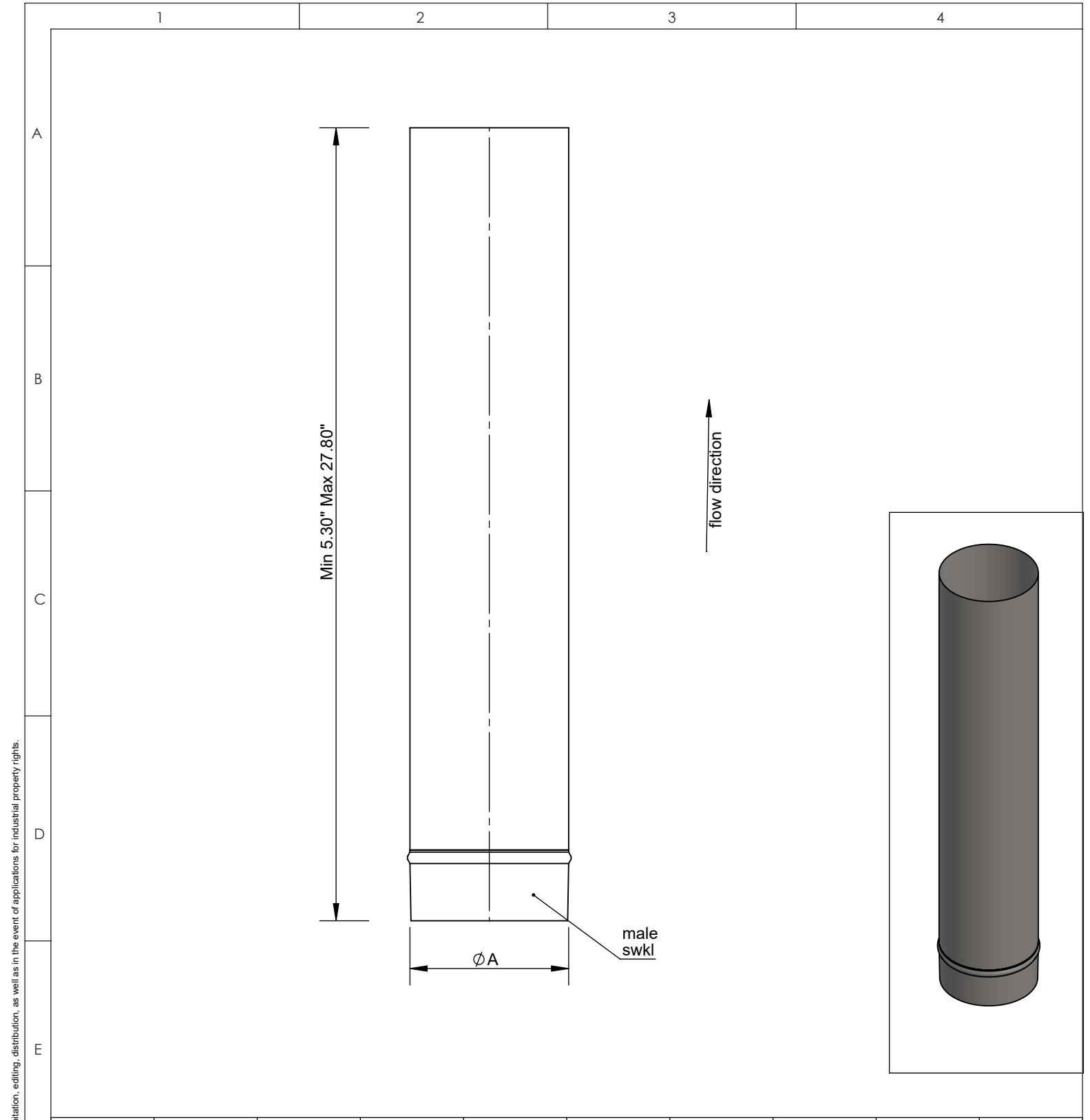


ϕ	10	11	12	13	14	16	18	20	22
A	10	11	12	13	14	16	18	20	22



material: inside/outside	304	surface: inside/outside	BA	inch / lb		 NORTH AMERICAN KITCHEN SOLUTIONS INCORPORATED	scale	
				revisions-no.			format	
				date	name		description	US LETTER
				drawn by			18" Cut Length	sheet
				checked by			code	
approved by		SWNAKSØ-18CL						
modified by		drawing no.						

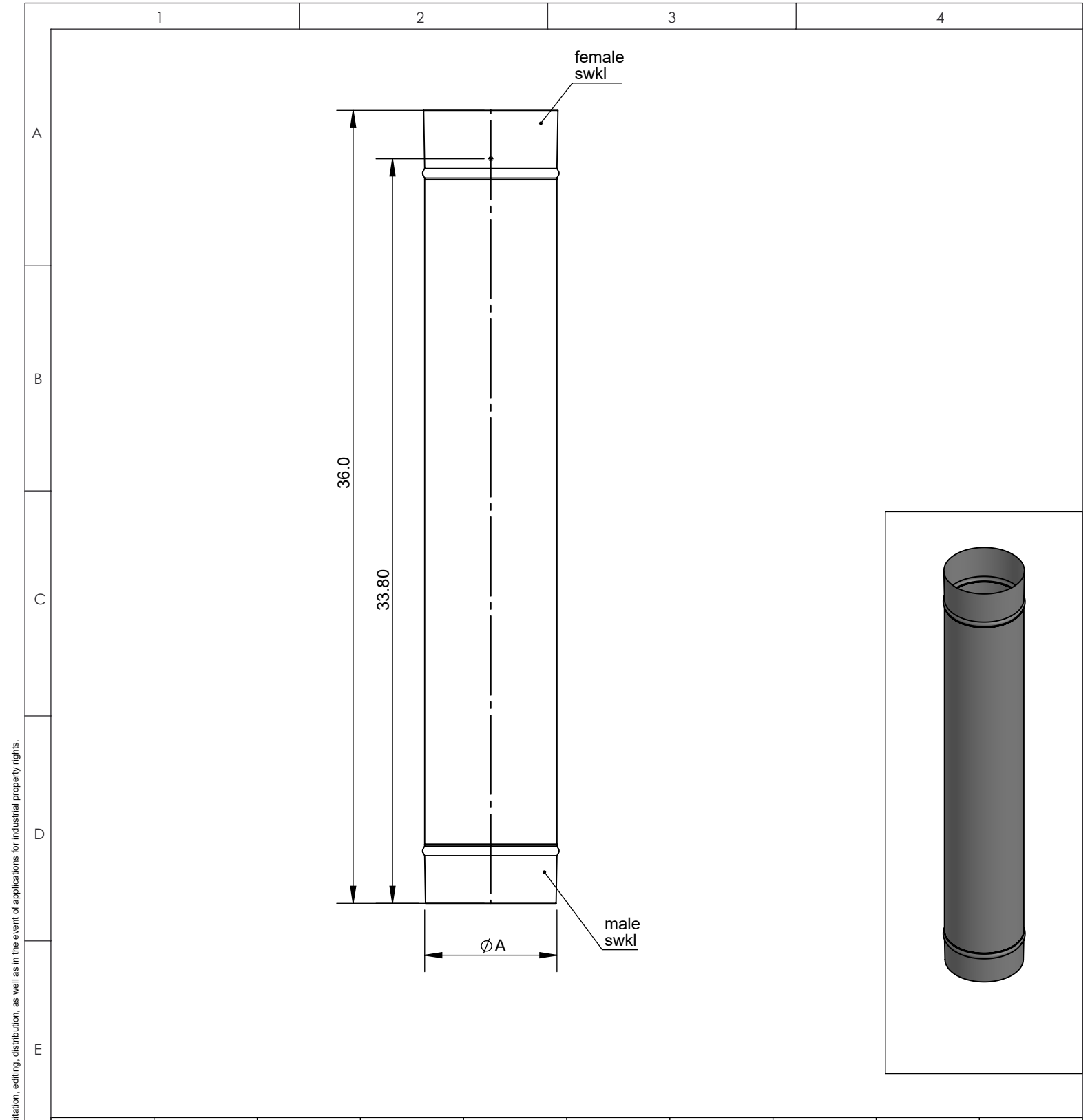


© NAKS Inc. All rights reserved, also regarding any disposal, exploitation, editing, distribution, as well as in the event of applications for industrial property rights.





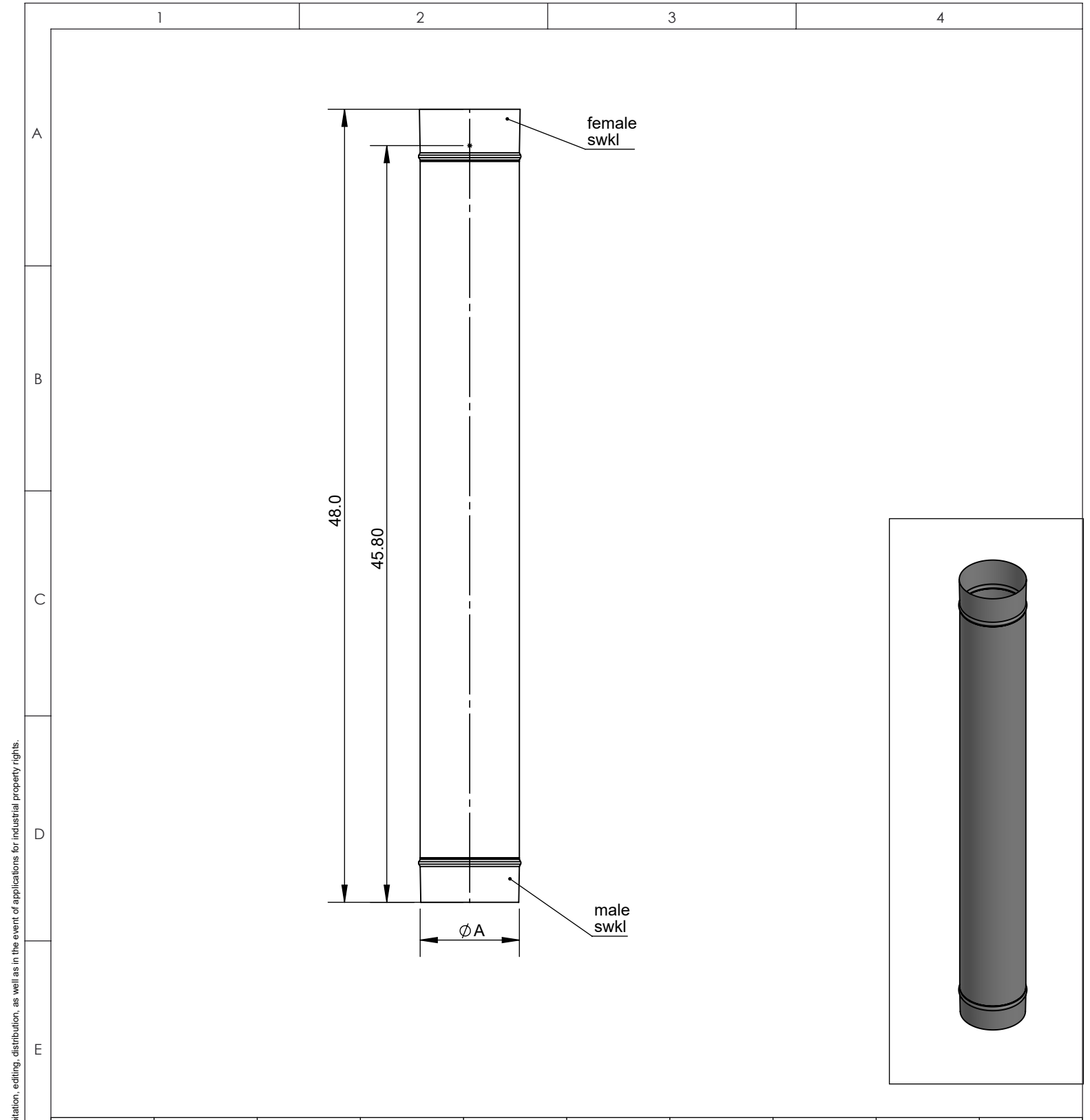
© NAKS Inc. All rights reserved, also regarding any disposal, exploitation, editing, distribution, as well as in the event of applications for industrial property rights.

	Ø	10	11	12	13	14	16	18	20	22		
	A	10	11	12	13	14	16	18	20	22		
F	material: inside/outside	304		surface: inside/outside	BA		inch / lb				scale	
				revisions-no.		 NORTH AMERICAN KITCHEN SOLUTIONS INCORPORATED				format		
				date	name					description	30" Cut Length	
					drawn by							sheet
					checked by							
				approved by			code	SWNAKSØ-30CL				
				modified by			drawing no.					



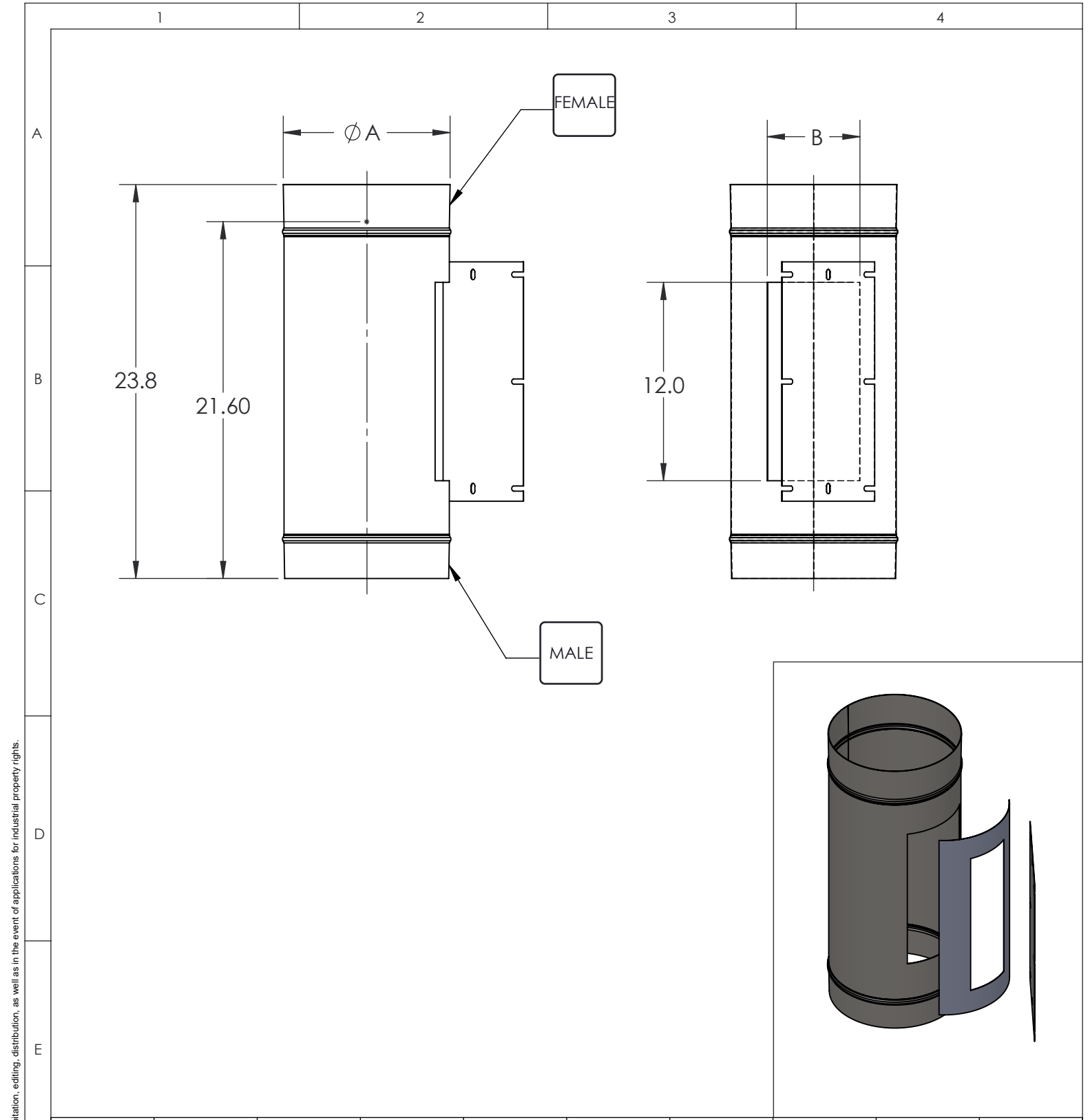
© NAKS Inc. All rights reserved, also regarding any disposal, exploitation, editing, distribution, as well as in the event of applications for industrial property rights.

	Ø	10	11	12	13	14	16	18	20	22	
	A	10	11	12	13	14	16	18	20	22	
F	material: inside/outside	304		surface: inside/outside	BA		inch / lb				scale
				revisions-no.		 NORTH AMERICAN KITCHEN SOLUTIONS INCORPORATED				format US LETTER	
				date	name					description 36" Fixed Length	
				drawn by			code SWNAKSØ-36L				
				checked by			drawing no.				
			approved by								
			modified by								



© NAKS Inc. All rights reserved, also regarding any disposal, exploitation, editing, distribution, as well as in the event of applications for industrial property rights.

	Ø	10	11	12	13	14	16	18	20	22		
	A	10	11	12	13	14	16	18	20	22		
F	material: inside/outside		surface: inside/outside		inch / lb						NORTH AMERICAN KITCHEN SOLUTIONS <small>INCORPORATED</small>	scale
	304		BA		revisions-no.							format
					date	name	description				US LETTER	
					drawn by	checked by	code				sheet	
					approved by	modified by	drawing no.					
						code				SWNAKSØ-48L		



© NAKS Inc. All rights reserved, also regarding any disposal, exploitation, editing, distribution, as well as in the event of applications for industrial property rights.

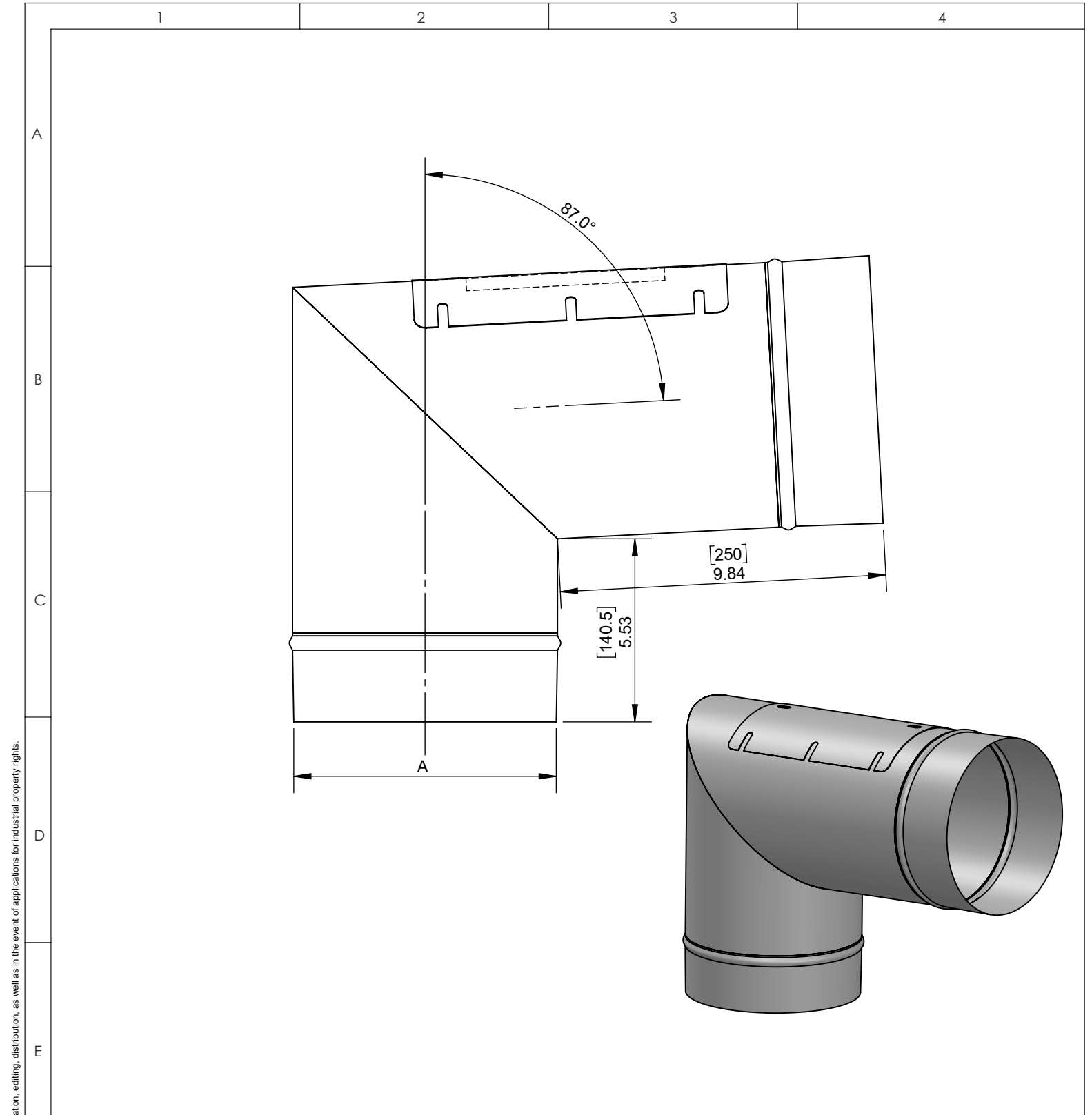
	Ø	10	11	12	13	14	16	18	20	22	
	A	10	11	12	13	14	16	18	20	22	
F	material: inside/outside		surface: inside/outside		inch / lb						scale
	304		BA		revisions-no.						format
					date	name	description				US LETTER
					drawn by						sheet
					checked by						
				approved by		code					
				modified by		SWNAKSØ-IAD					
						drawing no.					





description Inline Access Door

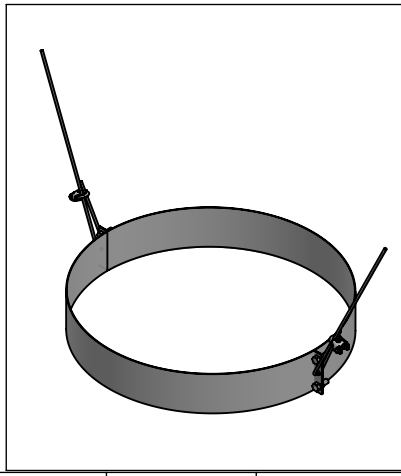
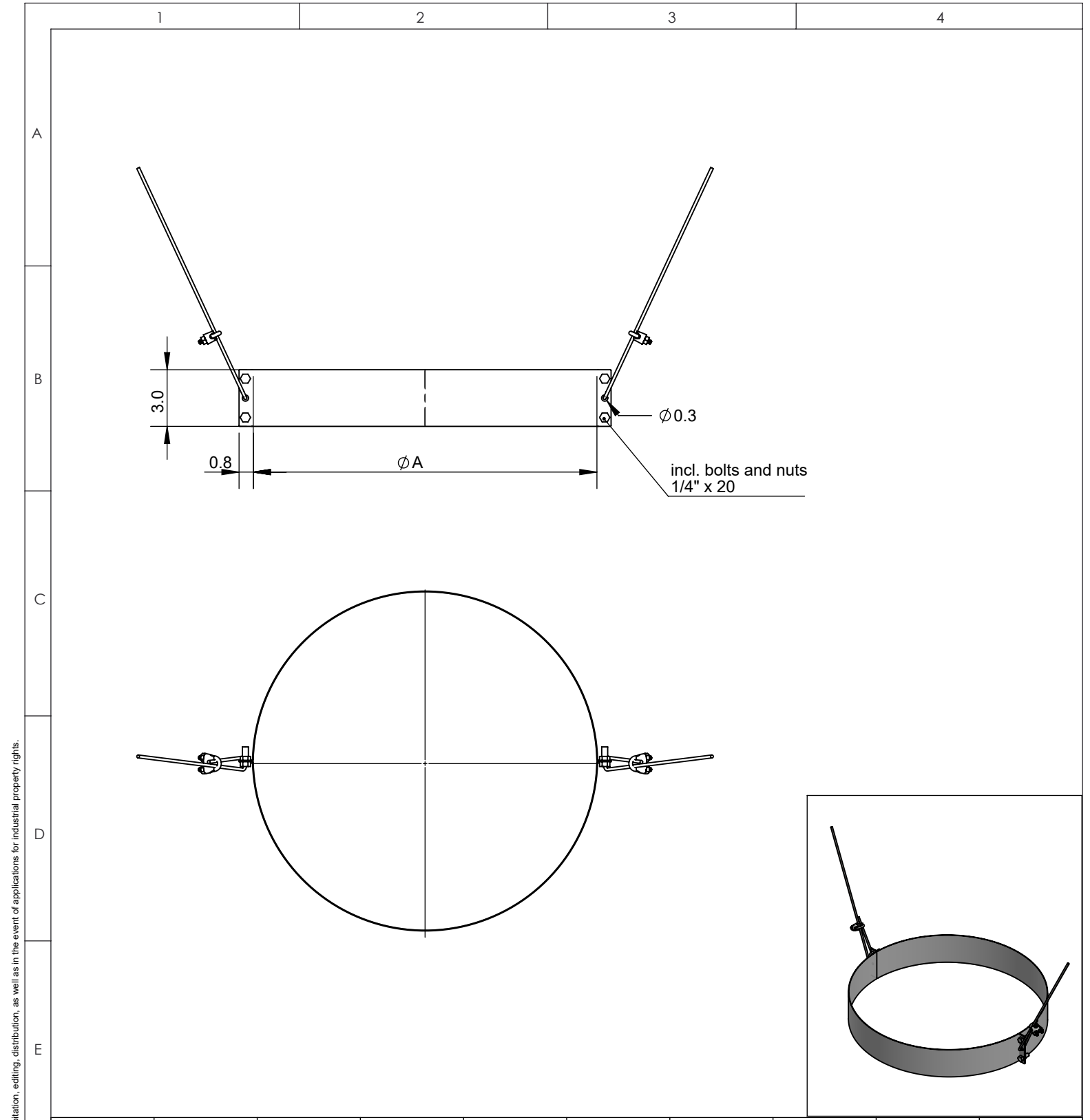
code SWNAKSØ-IAD

scale
format
US LETTER
sheet





© NAKS Inc. All rights reserved, also regarding any disposal, exploitation, editing, distribution, as well as in the event of applications for industrial property rights.

	Ø	10	11	12	13	14	16	18	20	22	
	A	10	11	12	13	14	16	18	20	22	
F	material: inside/outside	304		surface: inside/outside	BA		inch / lb				scale
	revisions-no.						 NORTH AMERICAN KITCHEN SOLUTIONS INCORPORATED				
				date	name	description 87 Degree Elbow w/ Access					format US LETTER
	drawn by					code				sheet	
	checked by					SWNAKSØ-87EA					
approved by					drawing no.						
modified by											
											

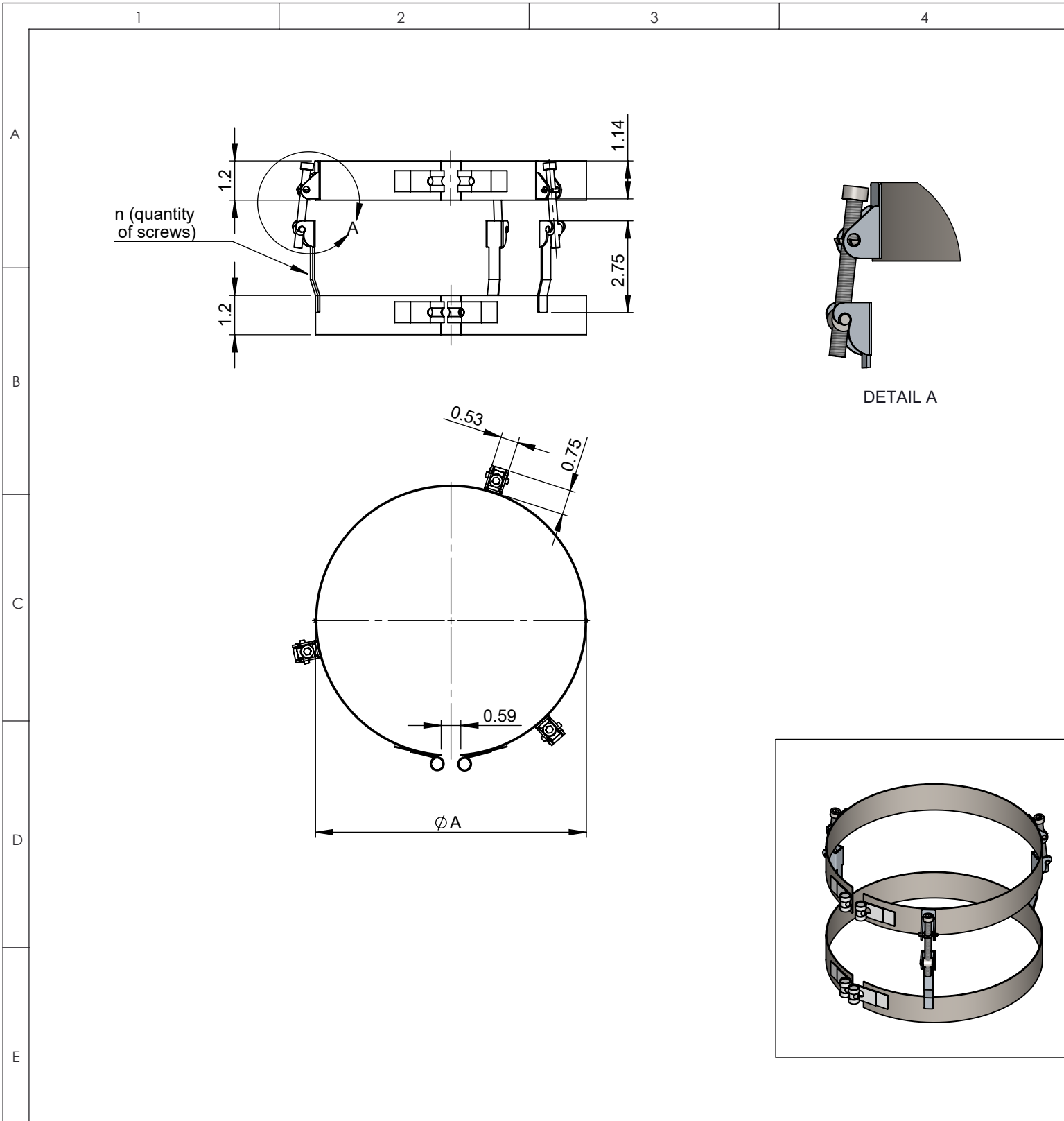


Ø	10	11	12	13	14	16	18	20	22
A	10	11	12	13	14	16	18	20	22

material: inside/outside	304	surface: inside/outside	BA	inch / lb		 NORTH AMERICAN KITCHEN SOLUTIONS INCORPORATED	scale
				revisions-no.	A		format US LETTER
				date	name	description Light Support Band	sheet
				drawn by			code SWNAKSØ-LSB
				checked by			
				approved by			
				modified by		drawing no.	

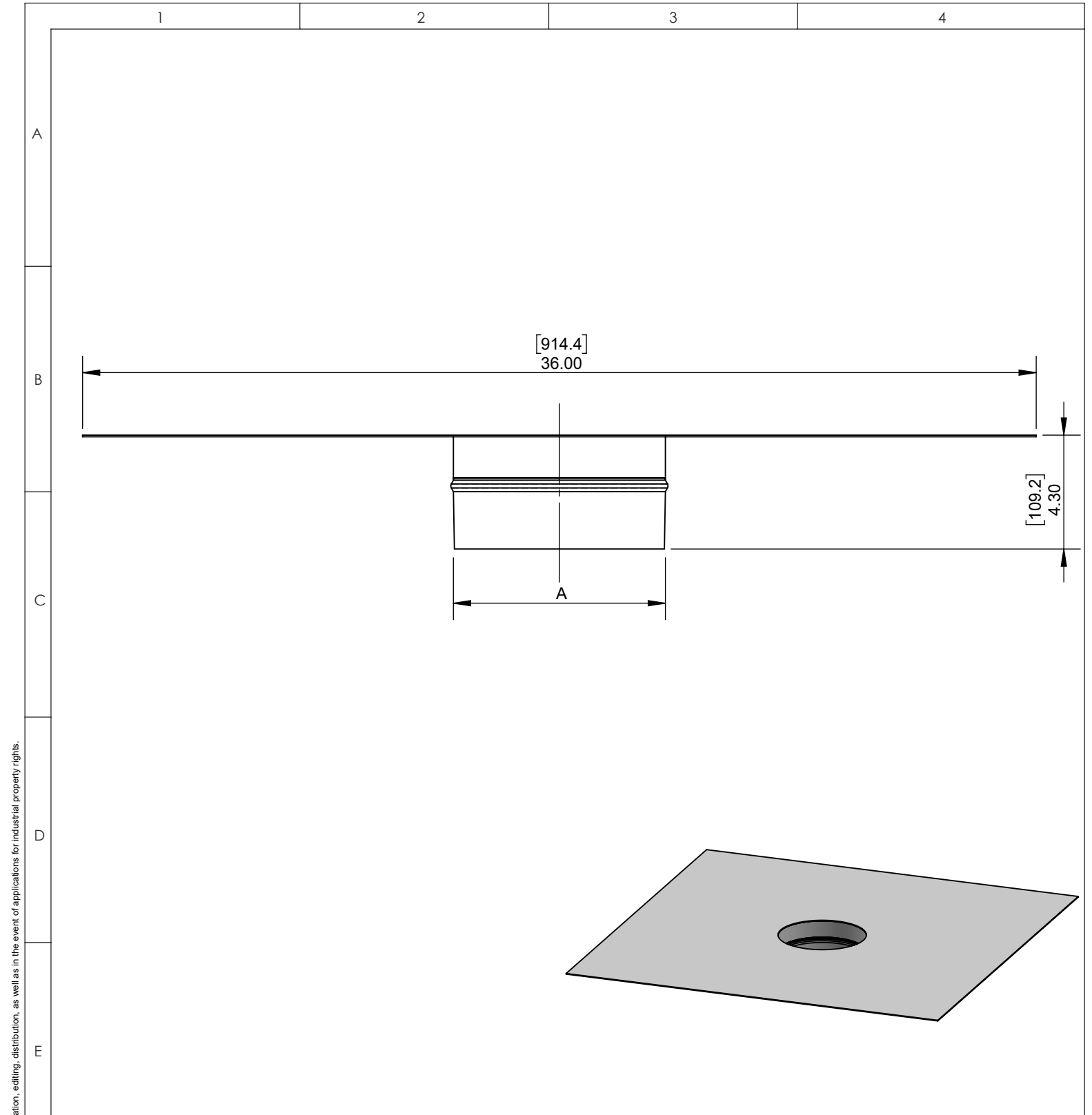
© NAKS Inc. All rights reserved, also regarding any disposal, exploitation, editing, distribution, as well as in the event of applications for industrial property rights.

© NAKS Inc. All rights reserved, also regarding any disposal, exploitation, editing, distribution, as well as in the event of applications for industrial property rights.





	Ø	10	11	12	13	14	16	18	20	22	
	A	10	11	12	13	14	16	18	20	22	
F	material: inside/outside	304		surface: inside/outside	BA		inch / lb				scale
							revisions-no. A				
					date	name	description KL Clamp				sheet
					drawn by						
					checked by						
				approved by		code SWNAKSØ-KLC				drawing no.	
				modified by							





© NAKS Inc. All rights reserved, also regarding any disposal, exploitation, editing, distribution, as well as in the event of applications for industrial property rights.

	Ø	10	11	12	13	14	16	18	20	22	
	A	10	11	12	13	14	16	18	20	22	
F	material: inside/outside	304		surface: inside/outside	BA		inch / lb				scale
				revisions-no.		 NORTH AMERICAN KITCHEN SOLUTIONS INCORPORATED				format	
					date					name	description
				drawn by			36"x36"			sheet	
				checked by			code	SWNAKSØ-FPE:36x36			
			approved by			drawing no.					
			modified by								